

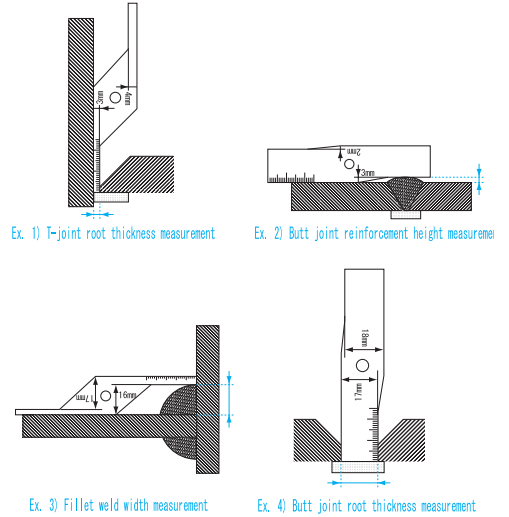
ROOT LIMIT GAUGE



WRL310

WRL1118

● Example use



USE

- Use for measuring root gap of T-joint or facing joint, leg length (height) of fillet weld and excess weld and height of facing joint

MATERIAL

- Stainless steel

FEATURES

- Measure with 1mm interval
- The measurement result of root thickness will be indicated on the scale
- Measurement range chosen so most frequently used dimensions are combined
- Provided with plastic case & ball chain

Order No.	Model No.	Weight
007560	WRL310	60g
007561	WRL1118	90g

SPECIFICATIONS

Model No.		WRL310				WRL1118			
Blank No.		1	2	3	4	1	2	3	4
Outline dimension (mm)	Overall width	90				90			
	Overall height	20				20			
	Plate thickness	2				2			
Material/ Finish		SUS304 / barrel semi-gloss finish				SUS304 / barrel semi-gloss finish			
Measurement Value Indication	Root gap (Front)	3·4	5·6	7·8	9·10	11·12	13·14	15·16	17·18
	Leg length·height (Back)	16·17	14·15	12·13	10·11	8·9	6·7	4·5	2·3
	Root side (Front)	20				20			
	Plate thickness	20				20			
Accuracy		±0.1mm				±0.1mm			

WELDING ELECTRODE GAUGE

MTO product



※Sample of custom design

Custom Designs with Fast Delivery

Please contact us for inquiry

USE

- Use for measuring height of welding electrode

MATERIAL

- Stainless steel