

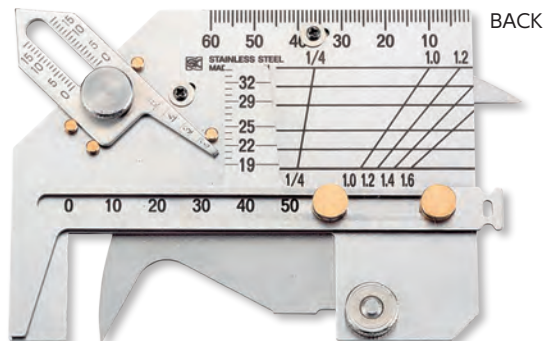
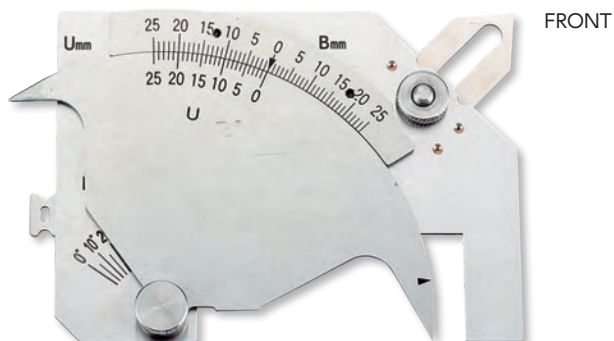
WELDING GAUGE



Essential for welding process. A wide variety of welding measurements in one gauge.

Function comparison ▶
Welding Gauge Chart

P98



USE

- For a wide variety of welding measurements
 - Undercut depth/ Groove angle/ Inconsistent level
 - Height of fillet weld & bead weld/ Throat thickness of fillet
 - Root opening/ Plate thickness/ External diameter of circular workpiece/ Width of bead weld

MATERIAL

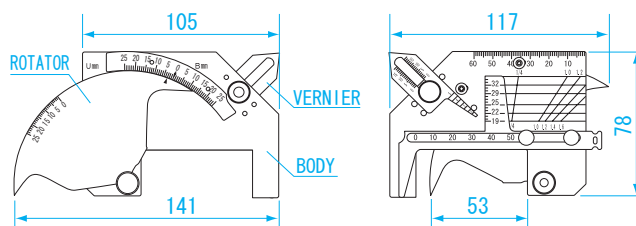
- Stainless steel

FEATURES

- Additional functions for measurement of
 - external diameter of circular workpiece
 - swelling of pressure welded reinforcing iron
 - width of bead weld
- Bead stride width: 53mm
- Bevel angle range: 0-70°
- Higher accuracy undercut measurement function

● DIMENSIONS

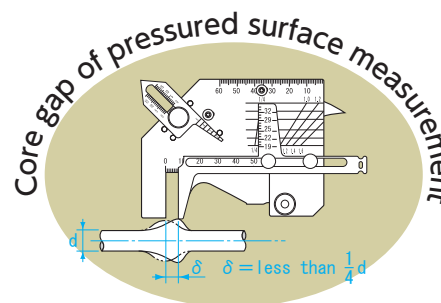
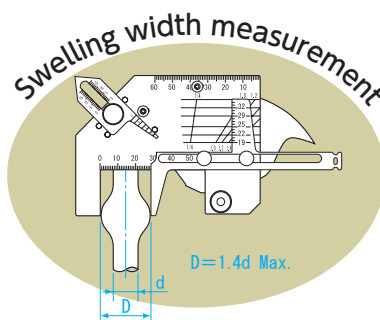
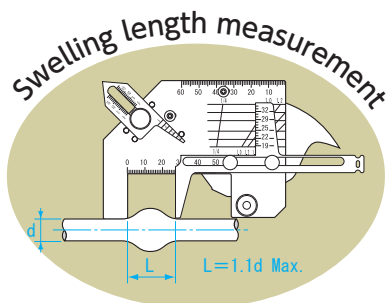
Units: mm



Additional functions

Provides quick way to measure the diameter of welded rebar to insure proper dimensions of weld seam.

Scale marked for material diameter (ϕ 19, 20, 25, 29, 32) corresponding to various rebar diameters, and amount of expansion (1/4, 1.0~1.6). You can quickly find the ratio by reading the intersection of the two scale lines.



※ Please also refer to "MEASUREMENT FUNCTIONS" on Page 91 to see other functions

Order No.	Model No.	Rebar diameter (mm)	Expansion	Weight
007515	WGU-9M	ϕ 19 ~ 35	1/4, 1.0 ~ 1.6	190g