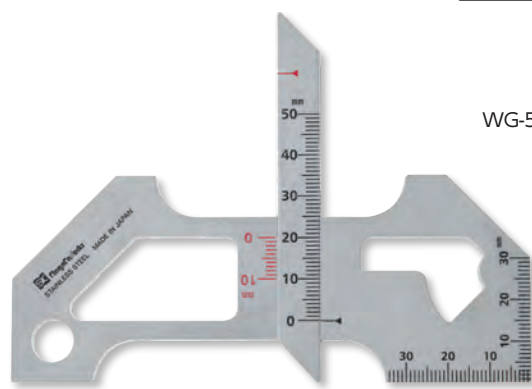
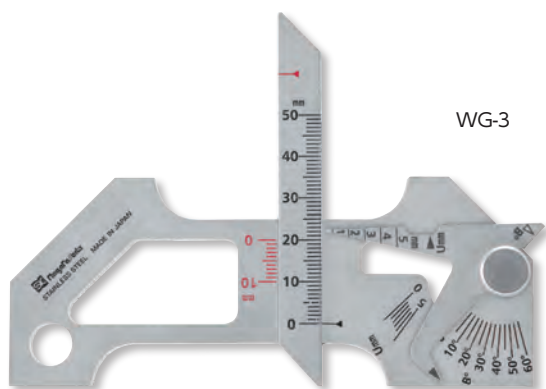


# WELDING GAUGE



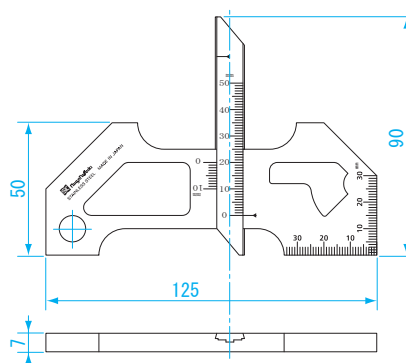
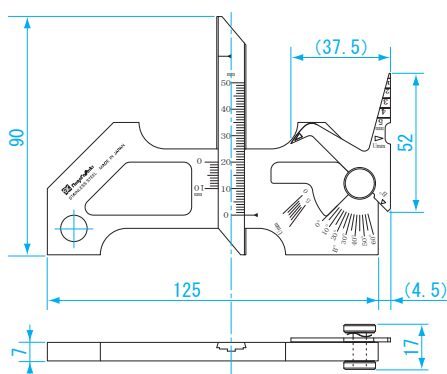
Gauges with new features added to existing welding gauge line-up  
Measure weld reinforcement height up to 50mm

Function comparison  
Welding Gauge Chart  
P98



● DIMENSIONS Units: mm

● DIMENSIONS Units: mm



USE

- Measurement of size and alignment of bead, gap size, undercut, etc.

MATERIAL

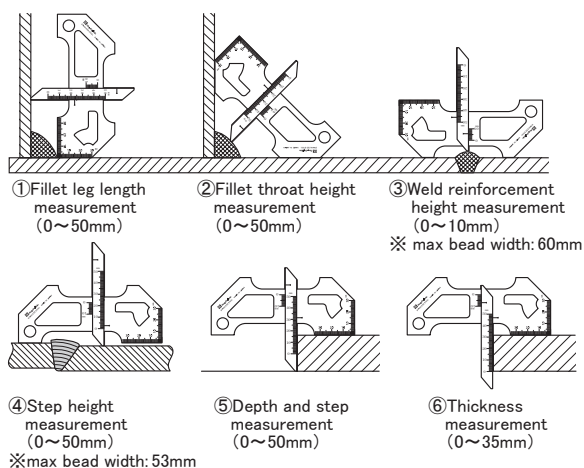
- Stainless Steel (silver finish)

FEATURES

- Speed up and streamline the quality control of welding
- Measures weld reinforcement height up to 50mm
- Wide base for stability during measurements
- Pivoting gauge provides a variety of measurement functions
- Silver finish is ideal for reduced reflection when photographing measurements
- Translucent case for easy confirmation of contents

■ Measurement Functions

WG-3, WG-5 capabilities



USE

- Measurement of size and alignment of bead, gap size, undercut, etc.

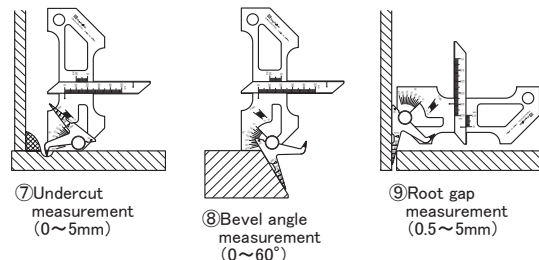
MATERIAL

- Stainless steel (silver finish)

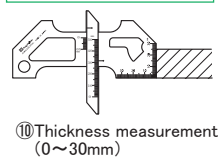
FEATURES

- Speed up and streamline the quality control of welding
- Measures weld reinforcement height up to 50mm
- Wide base for stability during measurements
- Silver finish is ideal for reduced reflection when photographing measurements
- Translucent case for easy confirmation of contents

WG-3 only



WG-5 only



Order No.	Model No.	Weight
007506	WG-3	198g
007507	WG-5	187g