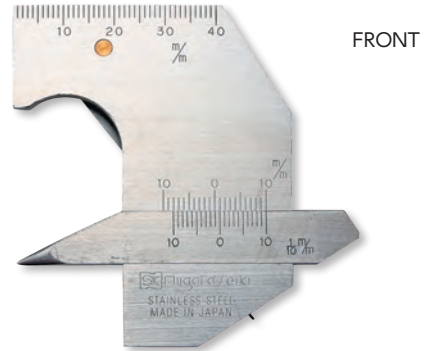


# WELDING GAUGE

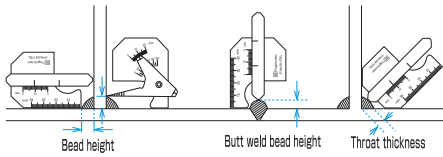


A wide variety of welding measurements in one gauge

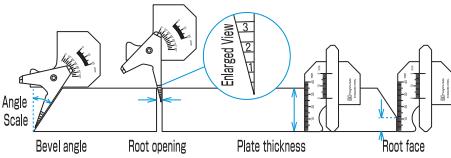
Function comparison ▶  
Welding Gauge Chart  
P98



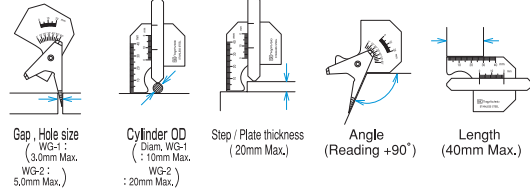
Weld Bead Measurement



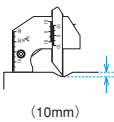
Measurement Before Welding



Misc. Measurements



Undercut Measurement (WG-2 only)



## USE

- For measuring fillet weld, bead weld, etc.

## MATERIAL

- Stainless steel

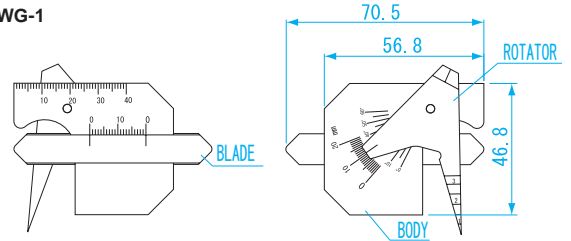
## FEATURES

- Efficient for welding and quality control
- Tough and portable (with vinyl case)

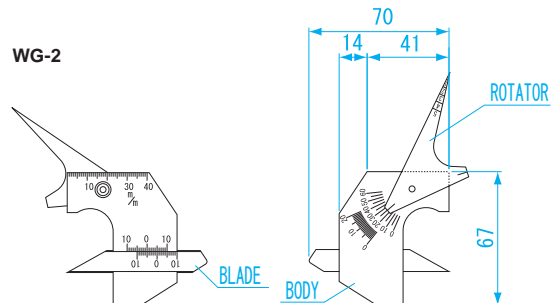
## ● DIMENSIONS

Units: mm

WG-1



WG-2



BLOCK GAUGES

PIN GAUGES

PIN VISE

PIN GAUGE ACCESSORIES

RING GAUGES

PLUG GAUGES

LIMIT GAUGES

THICKNESS GAUGES

TAPER GAUGES

WELDING GAUGES

OTHER GAUGES

Order No.	Model No.	Measurement Accuracy for Throat Thickness of Fillet Weld	Bevel Angle Accuracy	Accuracy	Weight
007502	WG-1 (M)	± 0.4mm	± 0.7°	± 0.4mm	79g
007503	WG-2 (L)	± 0.2mm	± 0.7°	± 0.4mm	91g